





ZEN

Exclusive Conference Leather Chair

Elegant Design

Astonishing Craftsmanship

Top Notch Conception



## Exclusive Features of ZEN

- 1 - Elegant, delicate and meticulous design
- 2 - Integrated aluminum structural brackets for robust stability and support
- 3 - Captivating swallow tail handrail design with top-grade soft leather covering
- 4 - Unique ergonomic forward tiling mechanism for exceptional comfort
- 5 - Intuitive functions with effortless operation



# Perfection

A perfect balance of exquisite metal in tunes with fine leather, flawless in every angle, color and style



**ZEN-01** High  
Back Chrome  
Finish



**ZEN-01S** High  
Back Silver  
Powder Coating  
Finish



**ZEN-02** Mid  
Back  
Chrome  
Finish



**ZEN-01K** High  
Back Gun  
Powder Coating  
Finish



Captures the unique  
essence of  
contemporary  
perspective in your  
office environment



Make a lasting impression  
in your meeting  
environment





Aluminum Back Frame (Chromed / Powder Coated)

High-Grade Genuine Leather

Aluminum Armrest with Leather Arm Pads (Chromed / Powder Coated)

Aluminum Structural Bracket (Chromed / Powder Coated)

Molded Foam

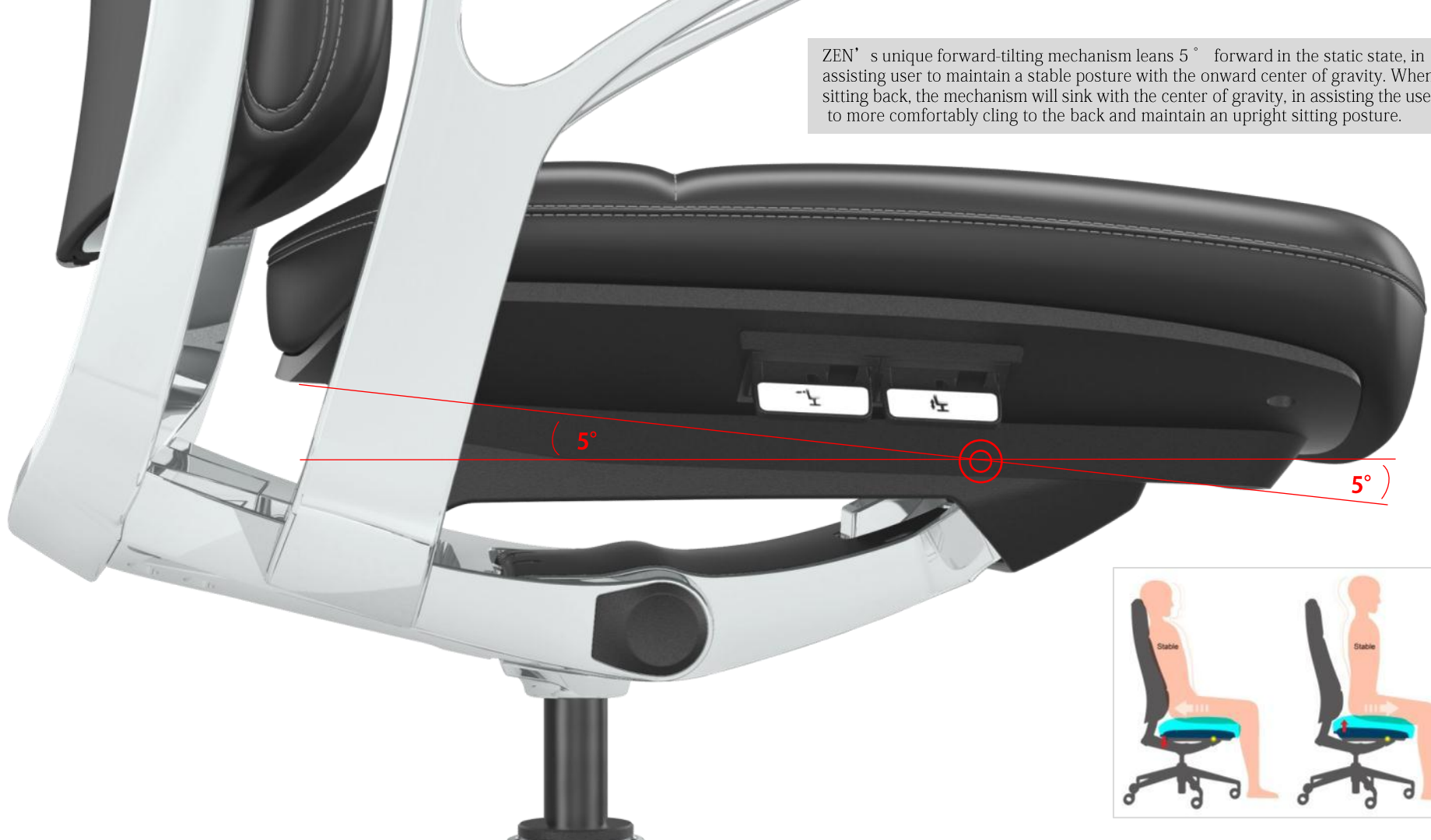
Dynamic Forward Tilt Mechanism (Chromed / Powder Coated)

Class IV Gas Spring

Chrome Hollow Castors

Aluminum Base (Chromed / Powder Coated)

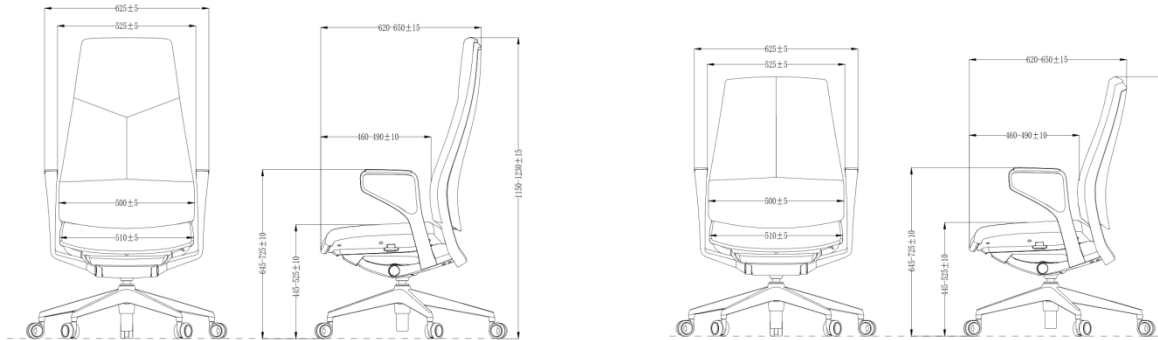
ZEN's unique forward-tilting mechanism leans 5° forward in the static state, in assisting user to maintain a stable posture with the onward center of gravity. When sitting back, the mechanism will sink with the center of gravity, in assisting the user to more comfortably cling to the back and maintain an upright sitting posture.





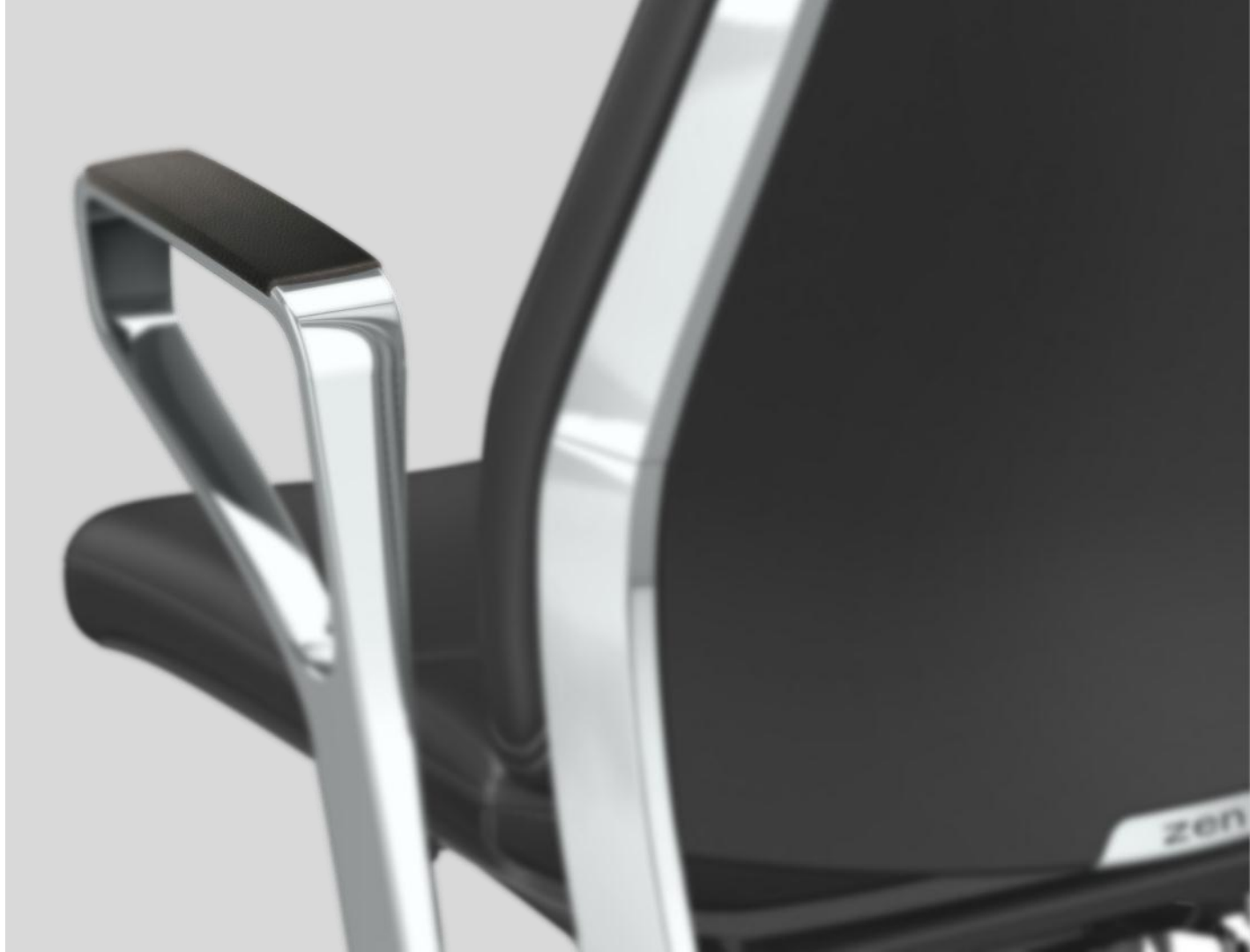


ANSI/BIFMA  
International  
Standards



Made in China  
Stable quality  
Use at ease

Imported Genuine  
Leather





Chrome

Silver

Gun Metal























