

A close-up, high-angle photograph of an office chair. The image focuses on the backrest, which is covered in a dark, textured mesh fabric. A black, padded armrest is visible in the foreground, extending from the left side. The chair's seat is also visible, showing a similar dark fabric. The lighting is dramatic, highlighting the textures and contours of the chair's components. A semi-transparent dark rectangle is overlaid in the center, containing the text.

**ATOM**

Office's Mighty Hero

# Office Superhero ATOM



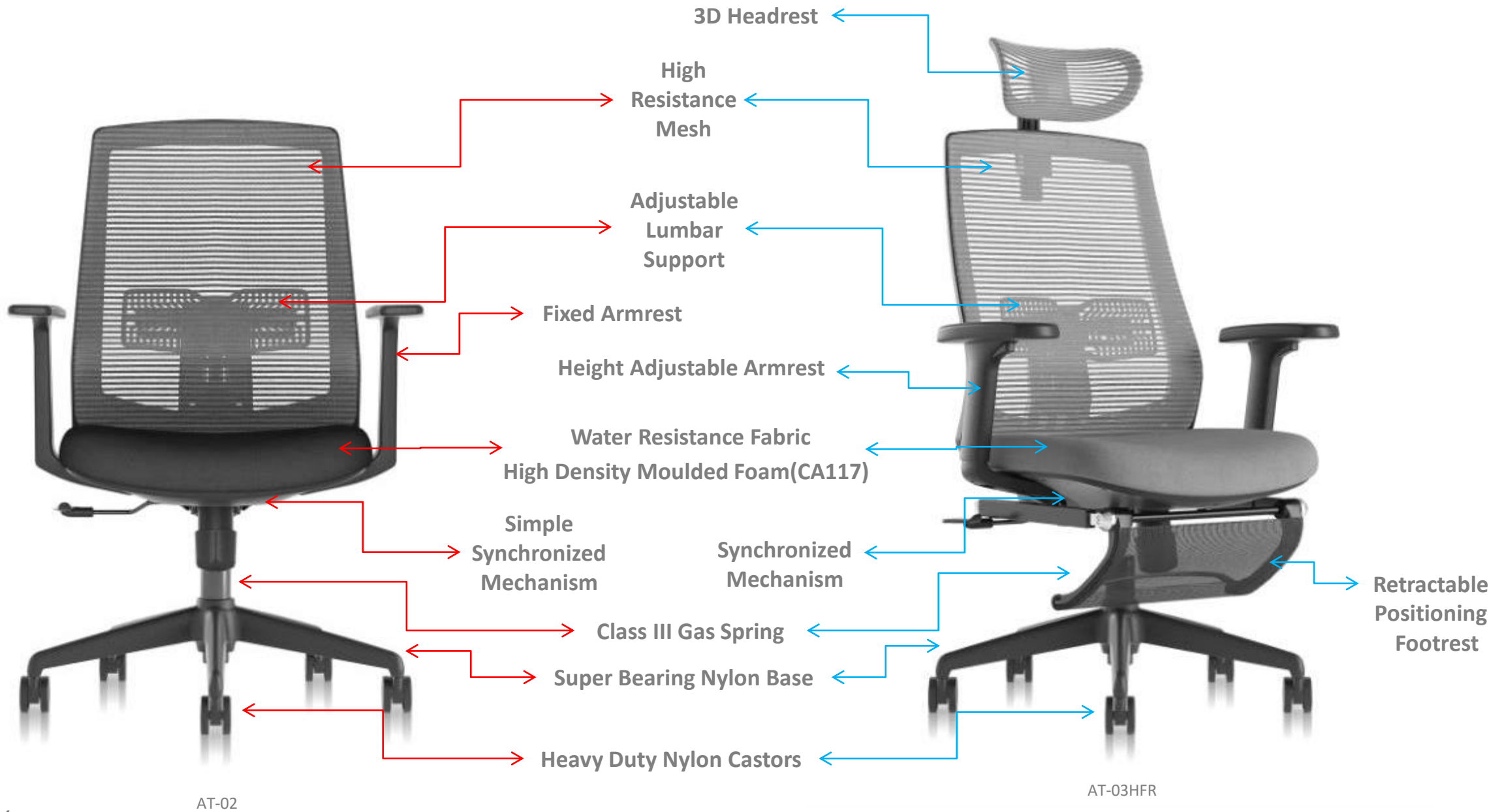






## Simple Measure . Rich Essence

- Multi-Functional Task Chair with Intuitive Operations
- Modest Chair with Sizeable Back Frame
- Responsive Back Lumbar Support
- Fine-Tuning 3D Headrest
- Optional Retractable Footrest
- Certified with Green Guard and BIFMA International Standards



● **Features & Configurations**



Height Adjustable Armrest



AT-03H



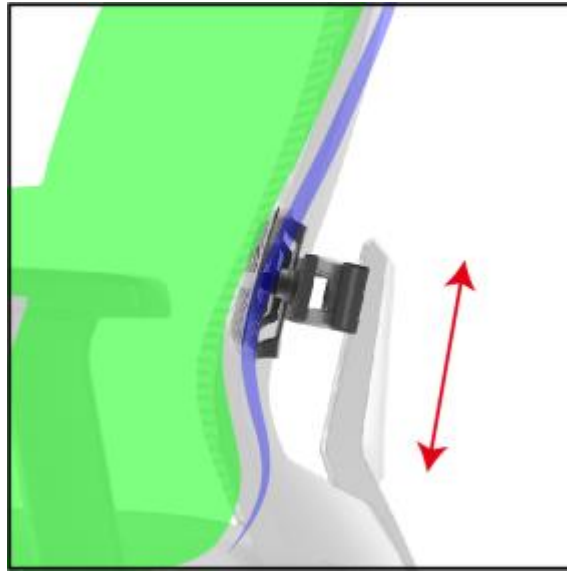
AT-02H



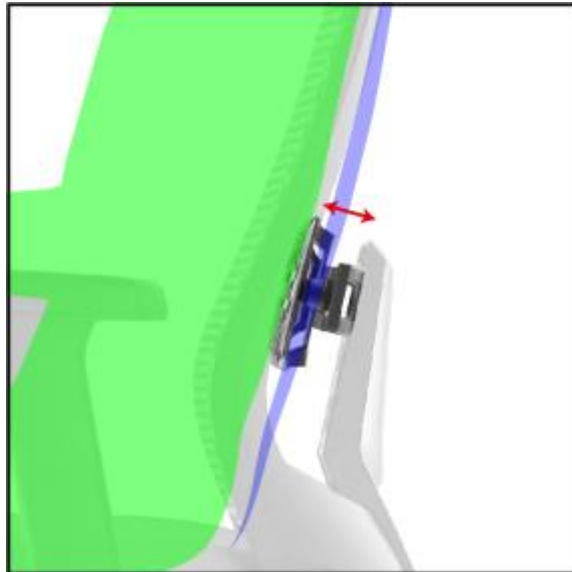
Fixed Armrest



● Armrest Options



Height Adjustment



Responsive Resilient Support

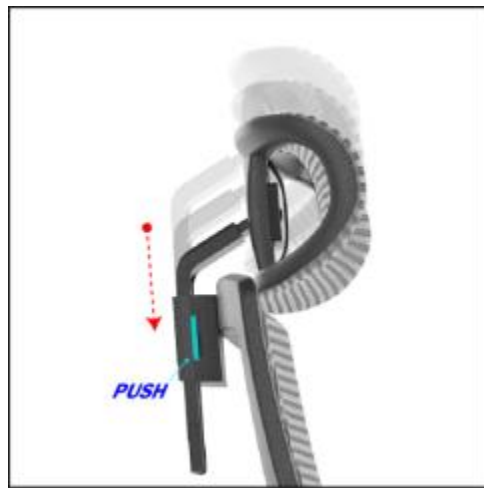


● Responsive Adjustable Lumbar Support

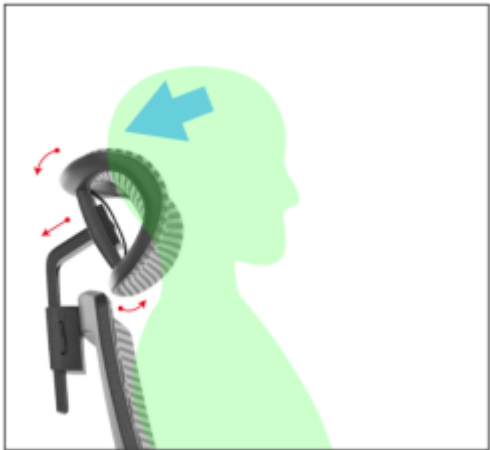




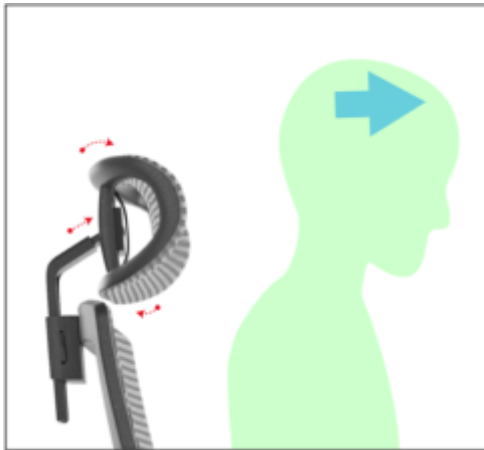
Pull to lift-up in position



Press button to push-down in position



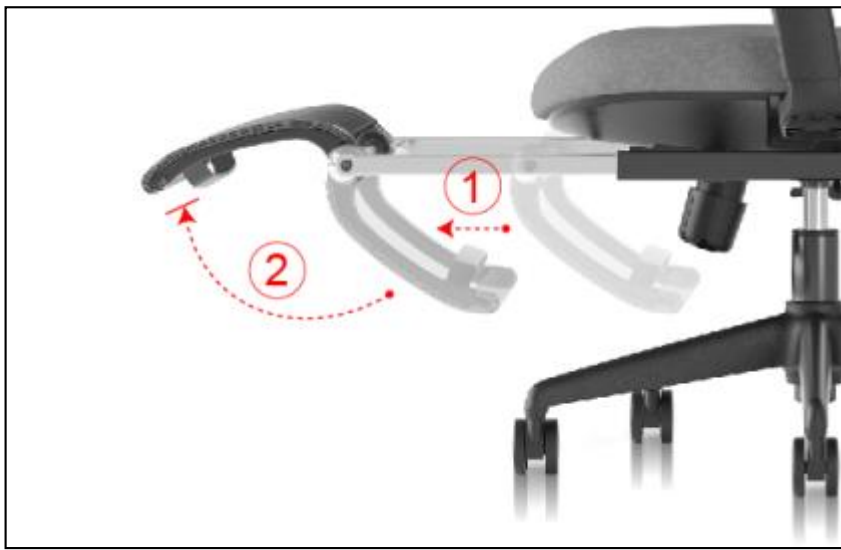
Lean back to fine tune the responsiveness of depth & angle



Depart to auto-retract depth & angle back to its original upright position

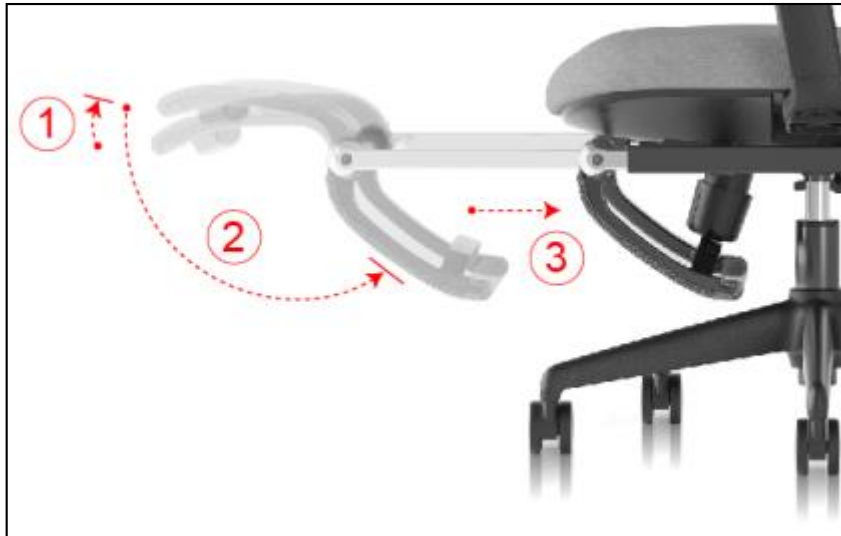






To Operate:

1. Pull the device forward from underneath the seat
2. Lift up the foot pedal and rotate clockwise from inward to upward position



To Retract:

1. Lift up the foot pedal by 35° to release locked-in position
2. Push down the foot pedal and rotate counterclockwise from downward to inward position
3. Retract the device to its original position underneath the seat

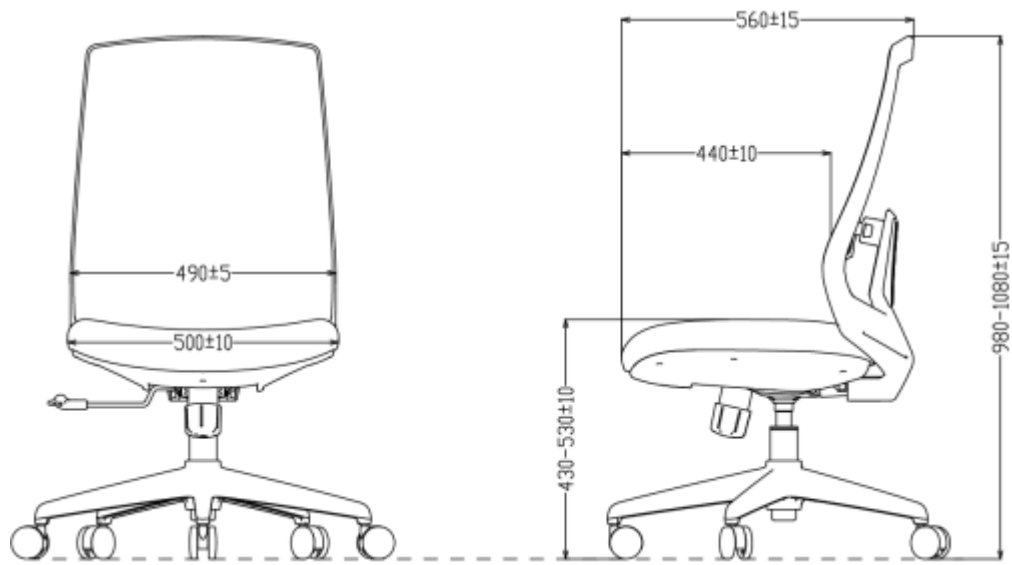


Three positions fore-and-aft depth adjustment

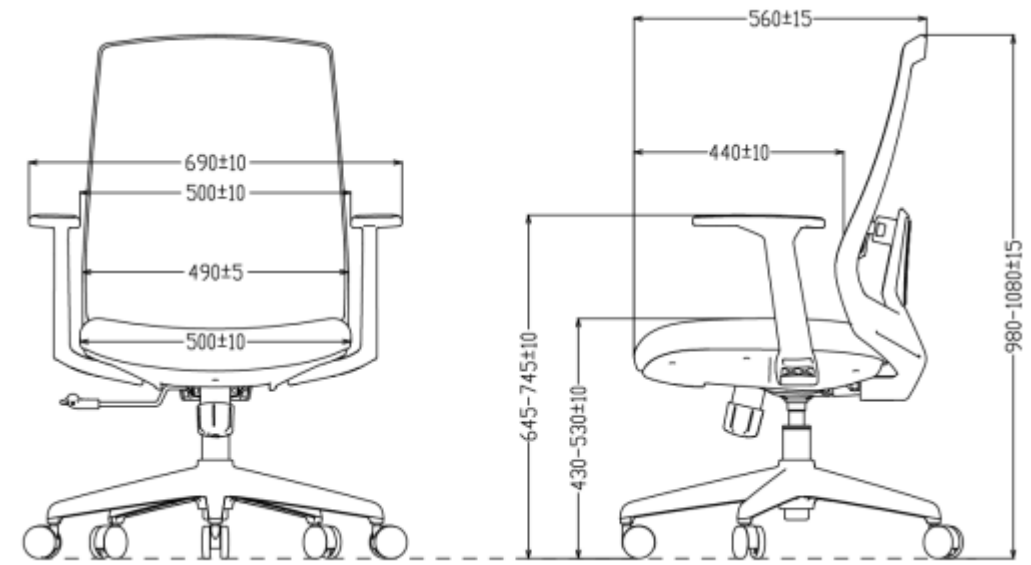


Two positions foot Pedal angle adjustment

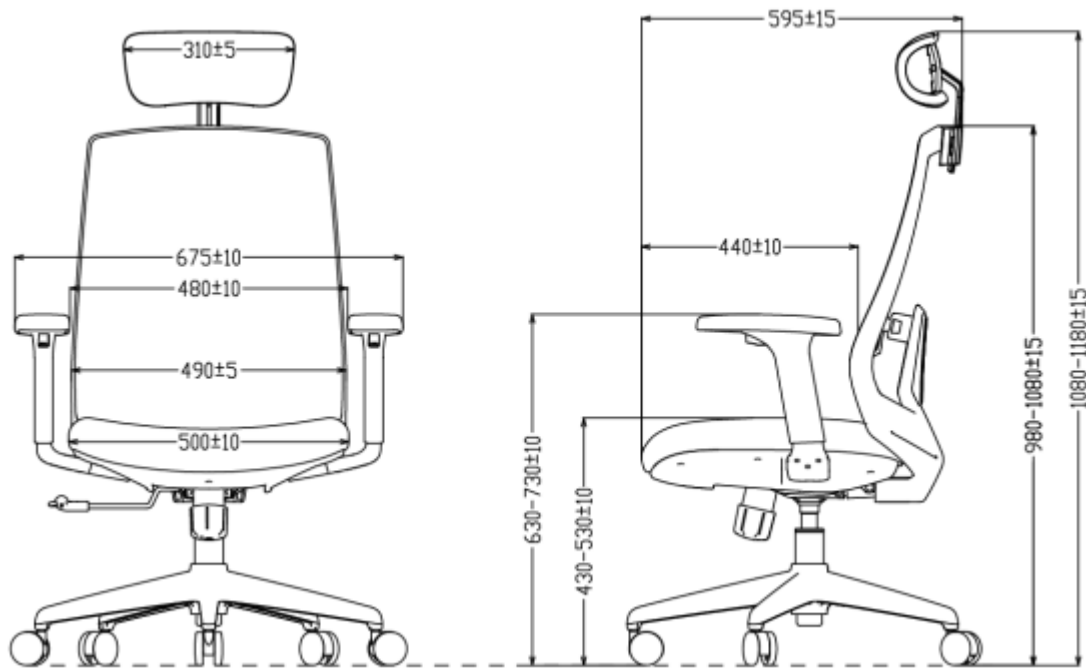




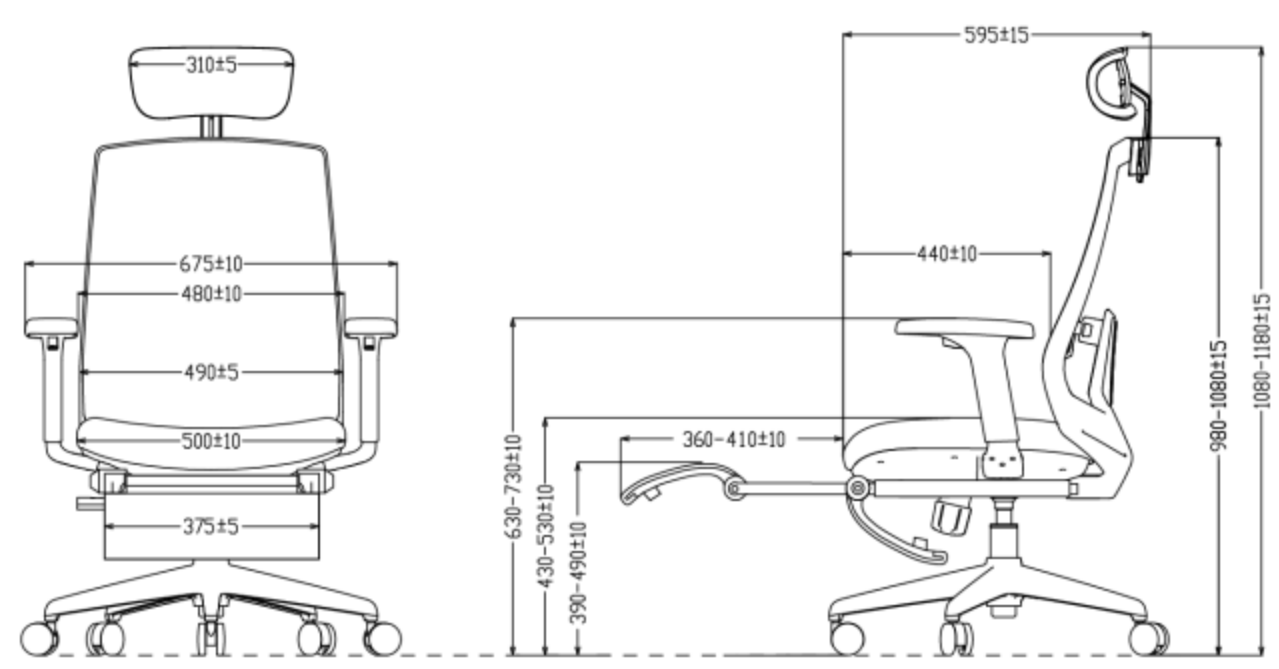
AT-01



AT-02



AT-03H

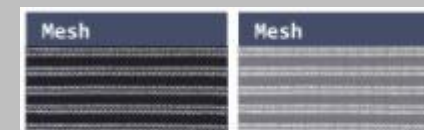


AT-03H+FR



● Dimensions

● Color Swatch





Test Report

No.: SDHL1905008960FT

Date: Jun.28, 2019

Page 1 of 11

DONGGUAN KENTEC OFFICE SEATING CO., LTD
LIHUI RD, DALI INDUSTRIAL AREA, QINGXI TOWN, DONGGUAN, GUANGDONG, CHINA

The following sample(s) was / were submitted and identified on behalf of the client as:

Sample Description : ATOM OFFICE CHAIR
Buyer Item No. : ATOM
Sample Receiving Date : May 27, 2019
Sample Resubmission Date : Jun.20, 2019
Test Performing Date : May 27, 2019 to Jun.28, 2019

Test Result Summary

Table with 2 columns: Test(s) Requested, Result(s). Row 1: ANS/BIFMA X5.1-2017 (Type I, III) ; PASS

Summary:

1. For further details, please refer to the following page(s).

Signed for and on behalf of
Shunde Branch
SGS-CSTC Co., Ltd.

Handwritten signature of Bill Wang



Bill Wang
Approved signatory



Unless otherwise agreed in writing, this document is issued by the Company subject to its General Conditions of Service printed overleaf...

Member of the SGS Group (SGS SA)

Member of the SGS Group (SGS SA)

Member of the SGS Group (SGS SA)

Member of the SGS Group (SGS SA)

Member of the SGS Group (SGS SA)



Test Report

No.: SDHL1905008960FT

Date: Jun.28, 2019

Page 5 of 11

Table with 2 columns: Test and Requirements, Test Results. Contains detailed test procedures and results for Functional Load, Proof Load, Arm Strength Test, and Backrest Durability Test.



Unless otherwise agreed in writing, this document is issued by the Company subject to its General Conditions of Service printed overleaf...

Member of the SGS Group (SGS SA)

Member of the SGS Group (SGS SA)

Member of the SGS Group (SGS SA)

Member of the SGS Group (SGS SA)

Member of the SGS Group (SGS SA)



CA117



● Certifications





Office Superhero

3D Rendering Applications



3D Rendering Applications





3D Rendering Applications









3D Rendering Applications





Office Superhero



3D Rendering Applications





Office Superhero

3D Rendering Applications





Office Superhero

3D Rendering Applications