



战神

ARES

KEENJ
ENTERPRISE



<http://www.keenjfurniture.com>

战神

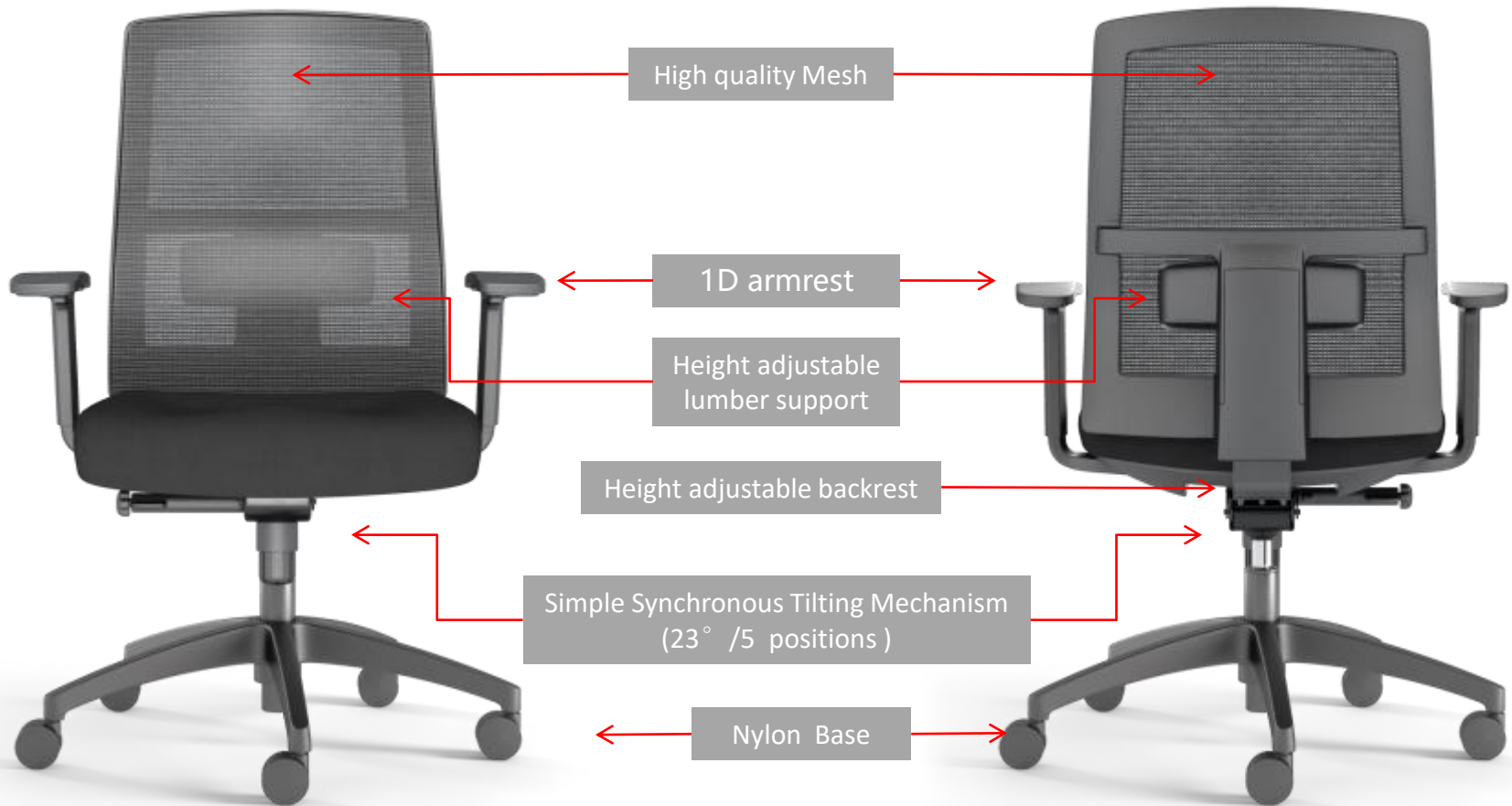
ARES



● Configuration & Dimension

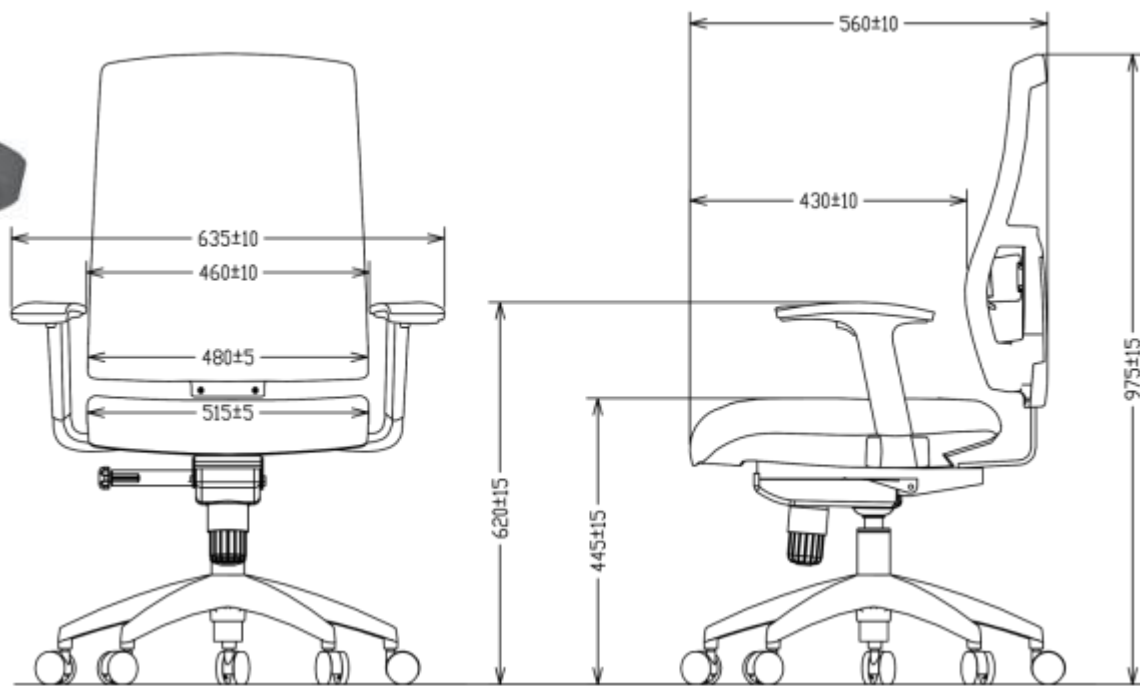
● Characteristics

● Reference projects

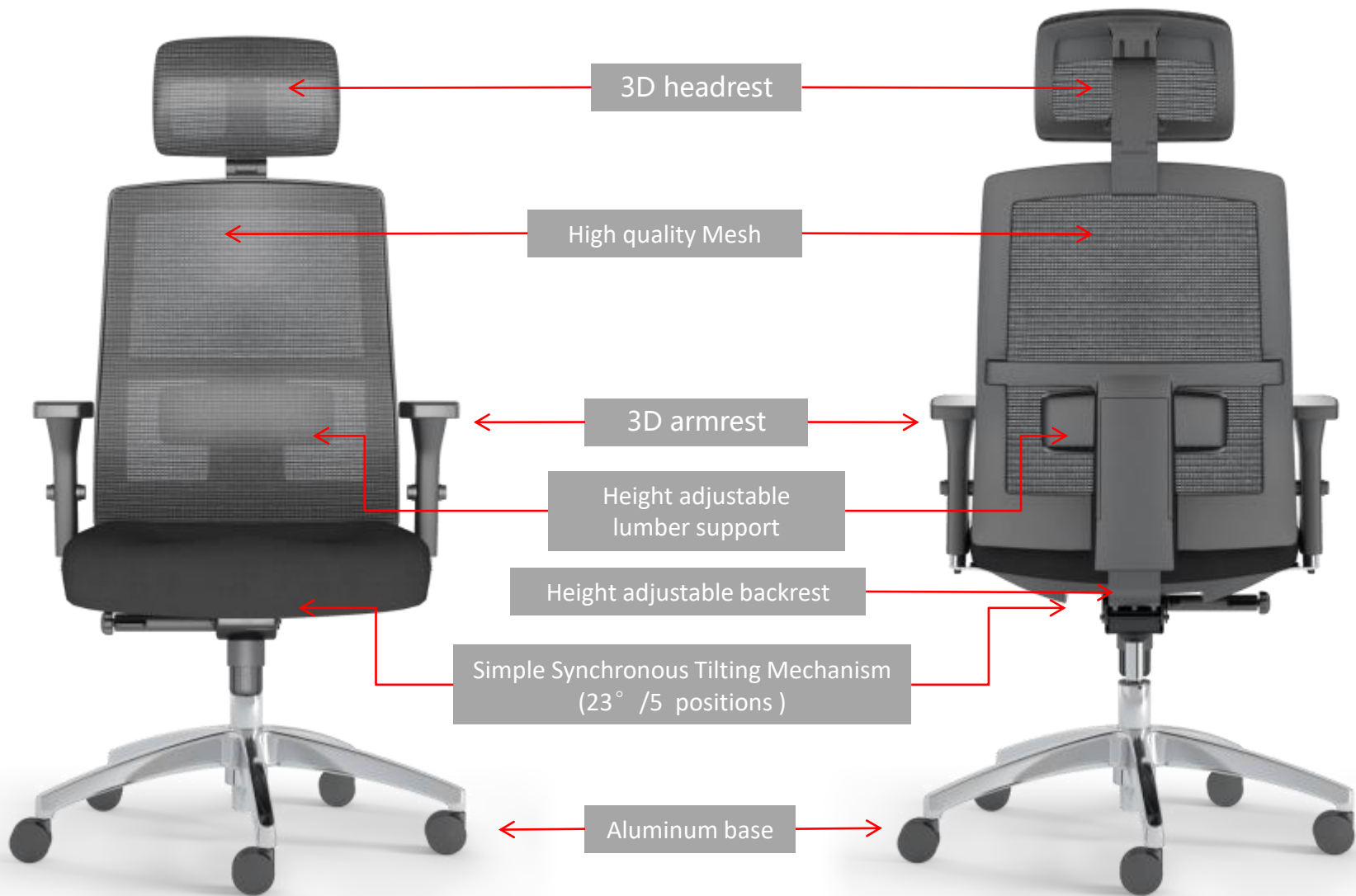


Configuration

1D armrest

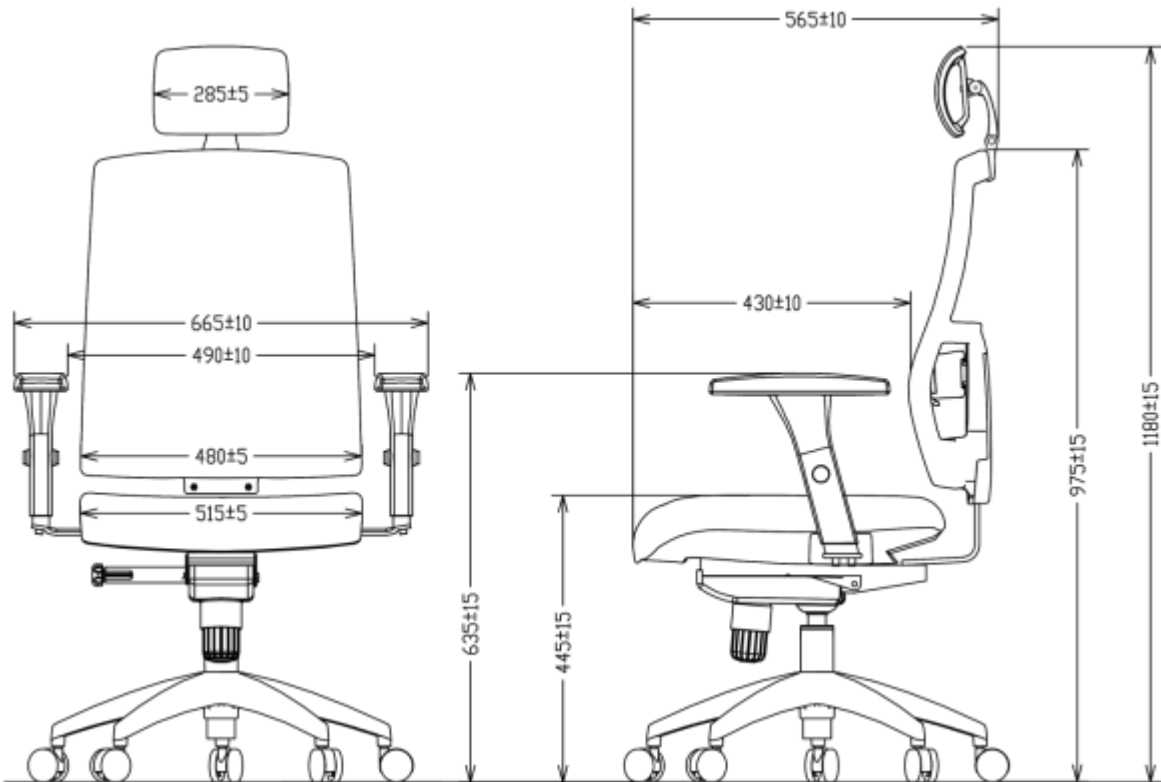


Dimension



Configuration

3D armrest



Dimension

Height adjustable backrest

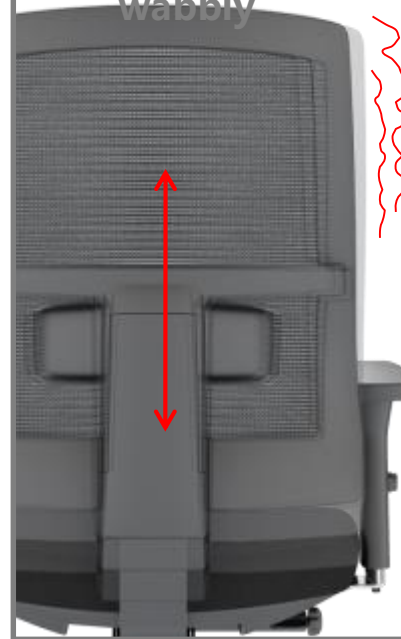
Height adjustable
60MM/6 positions



Enhanced backrest structure
Design for more people with different height.
Precisely ratchet backrest movement



without
wobbly



Smoothly
Steadily



Characteristics

Height adjustable lumbar



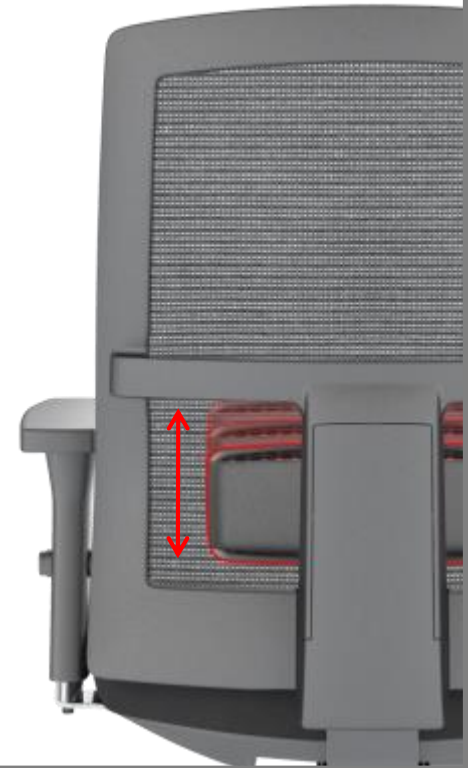
Height adjustable
80MM/8
positions

More adapt to the posture.

Side view



Back view



Characteristics

Comfortable seat pan



More comfortable ergonomic forming foam.



Characteristics

Mechanism

Simple Synchronous Tilting Mechanism
Easy operated

- ① Adjustable Back tilting degree ② Adjustable Seat height



- 1. Turn the knob clockwise to lock & unlock the tilt position**
2. Turn the paddle up to lift up the seat height

Characteristics

3D headrest(Optional)

- Height: 55MM/7positions
- Rotation:55°/4positions
- Depth: 80MM



3D headrest

Neck obtain fully support.
easy operated. and more comfortable.



Characteristics



AR-01

Mesh back
/Fabric seat
Without armrest
Lumbar support
23° Synchron
tilt mechanism
Nylon base



AR-02

Mesh back
/Fabric seat
Fixed armrest
Lumbar support
23° Synchron
tilt mechanism
Nylon base



AR-04H+FR

Mesh back
/Fabric seat
3D Headrest
3D Adjustable
armrest
Lumbar support
23° Synchron
tilt mechanism
Aluminum base
Footrest



AR-03

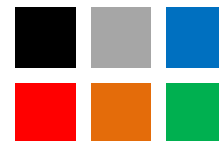
Mesh back
/Fabric seat
**Adjustable
armrest**
Lumbar support
23° Synchron
tilt mechanism
Nylon base



AR-04H

Mesh back
/Fabric seat
**3D Headrest
3D Adjustable
armrest**
Lumbar support
23° Synchron
tilt mechanism
Aluminum base

Fabric color



Configuration



Reference projects



Reference projects



Reference projects